

THE ULTIMATE SCBA CYLINDER CART

DESIGNED FOR COMPACT EFFICIENCY

Efficiency starts here. The all-new SafeTSystem Folding Hand Cart (in tandem with four Holder Carriers), allows a single firefighter to securely transport eight air cylinders at one time from apparatus to the fire scene rehab or to OnScene Solutions' Mobile Station Rack. This new SCBA cylinder cart folds into a compact design that easily stores in most any fire apparatus compartment.



COMPACT STORAGE

The new SafeTSystem SCBA cylinder cart features a compact, foldable design (just 10.5" wide x 29" tall) that fits into most fire truck compartments.



BUILT TO LAST

OnScene Solutions' high-quality aluminum and stainless-steel construction is backed by a lifetime bracket warranty and a one-year cart warranty.



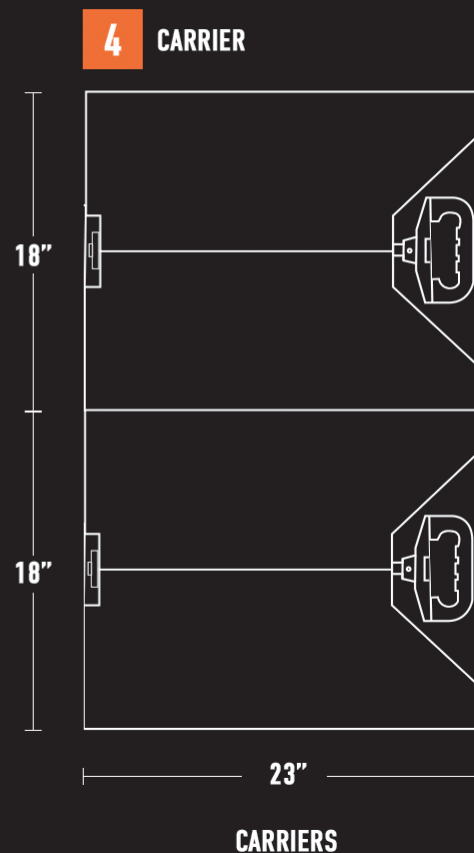
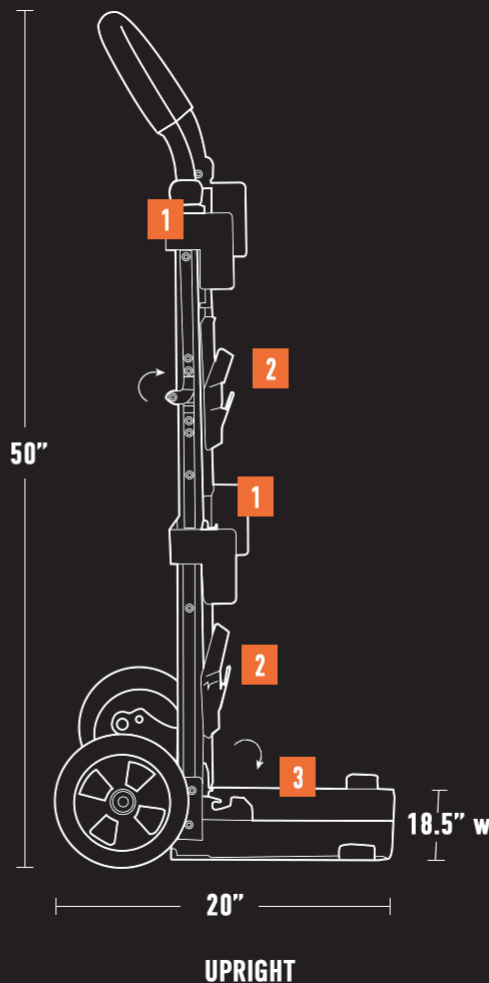
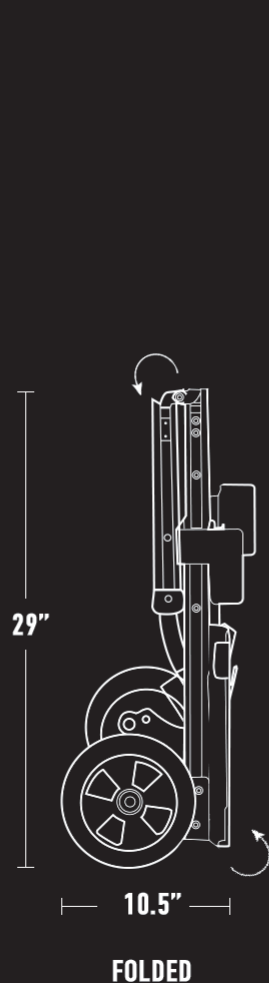
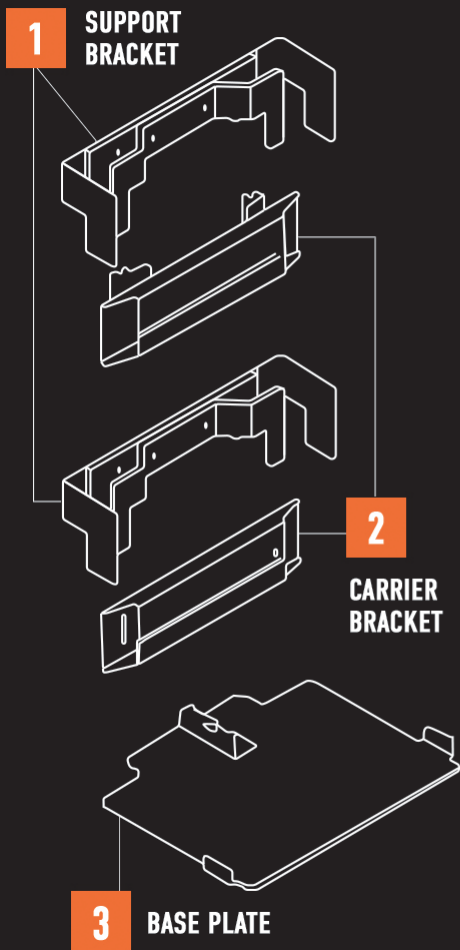
500-LB. CAPACITY

One person can securely transport up to four (4) SafeTSystem Holder Carriers (any size) with this hand cart. That's a whopping eight (8) SCBA cylinders!



THE INDUSTRY'S MOST COMPACT SCBA CART

- Upright (unfolded) height – 50"
- Folded height – 29"
- Depth with plate down – 20"
- Depth with plate up – 10.5"
- Overall cart width 18.5"



SCBA Holder Carriers are sold separately.